



RIBAO
TECHNOLOGY

www.ribaotechnology.com

BCS-150

1+1 POCKETS DESKTOP BANKNOTE SORTER



QUALITY AND SERVICE YOU CAN COUNT ON!



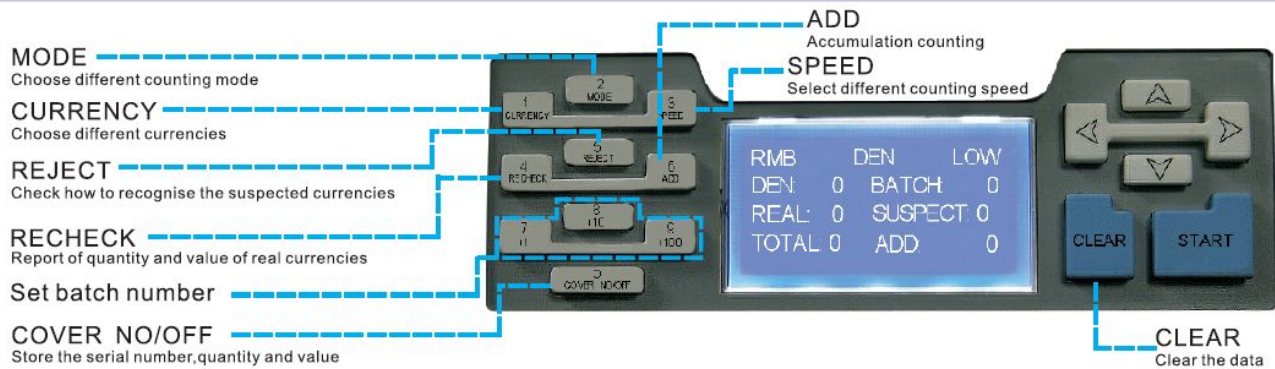
BCS-150

1+1 POCKETS DESKTOP BANKNOTE SORTER

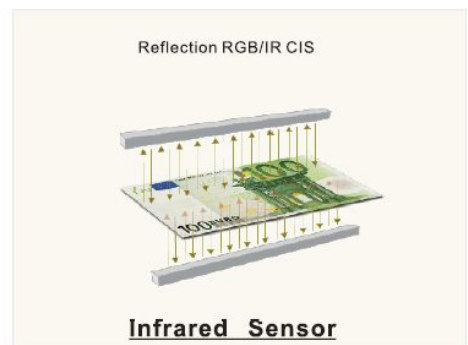
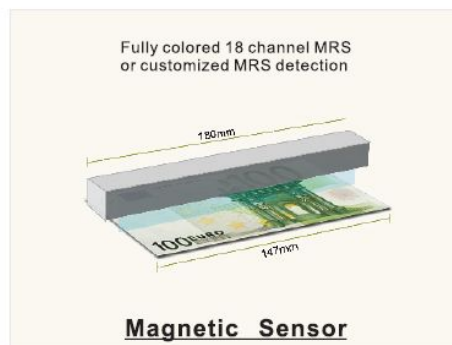
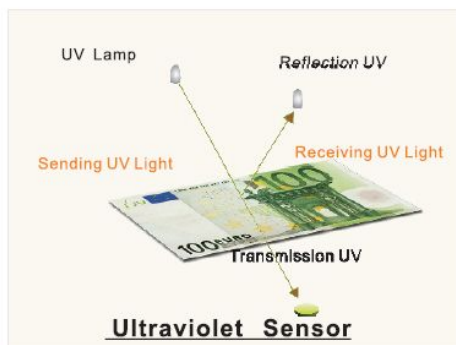
Features & Specifications

Application

BCS-150 banknote sorter is a compact desktop machine. It is perfect solution for front bank branches, CITs, Casinos, Supermarket etc.



Super Detection:



Specifications:

Display:	128×64 Graphic LCD
Hopper Capacity:	500 pcs
Stacker Capacity:	Max. 200 pcs
Reject Pocket Capacity:	Max. 70 pcs
Counting Speed:	800/1000/1200 notes/min
Operation Mode:	Mixed Counting Single Counting
	Counterfeit Detection: UV/IR/MG image/CIS
Interface:	RS232/LAN Port/External Display/SD card
Power Supply:	AC 110~220V 50/60Hz

Accept Customized Order for Worldwide Currency! Contact Us Now!



Suzhou RIBAO Technology Co., LTD

Add: No. 299, Yuanqi Rd. Yuanhe Technology Park, Xiang Cheng, Suzhou 215133, Jiangsu, P. R. China

Tel: +86 512 6531 2285/2290

Fax: +86-512-65311002

Email: info@nippo.com.cn ribaotech@gmail.com

Website: www.ribaotechnology.com

www.nippo.com.cn

www.ribaoweb.com